

B-I-C America Speaker Systems are designed to the highest possible value and performance standards. Our confidence in their quality is such that B-I-C America offers customers this transferable limited warranty:

B-I-C America System Limited Warranty

If the B-I-C America speaker system proves to be defective in materials or workmanship within seven years from the date of the original customer's purchase, we will, at our option, repair or replace the defective part.

DISCLAIMER

THE WARRANTY STATED HEREIN IS IN LIEU OF ALL OTHER WARRANTIES, EXPRESS OR IMPLIED, INCLUDING MERCHANTABILITY AND FITNESS FOR PARTICULAR PURPOSE AND ALL OTHER LIABILITIES AND OBLIGATIONS OF B-I-C AMERICA, ALL OF WHICH ARE EXPRESSLY DISCLAIMED. B-I-C AMERICA HAS NOT MADE AND DOES NOT HEREBY MAKE ANY OTHER REPRESENTATION, WARRANTY OR COVENANT WITH RESPECT TO THE CONDITION, QUALITY, DURABILITY, DESIGN, OPERATION, CAPACITY, FITNESS FOR USE OR SUITABILITY OF THE ACOUSTECH SPEAKER SYSTEMS.

Exclusion of Certain Damages

B-I-C America's liability for any defective product is limited to repair or replacement of the product at our option. B-I-C America shall not be liable for incidental or consequential damages of any kind or character because of product defects.

Some states do not allow limitations on implied warranties and/or do not allow the exclusion or limitation of incidental or

consequential damages, so the above limitations and exclusions may not apply.

This Warranty Does Not Cover:

Damage caused by abuse, accident, misuse, negligence, or improper operation.

Products that have been altered or modified.

Any product whose serial number has been altered, defaced, or removed.

Normal wear and maintenance.

Damages caused by shipping. (All claims for shipping damage must be made with the carrier.)

Warranty Service

Warranty service must be performed by an authorized service center, usually an B-I-C America speaker systems dealer or its authorized agent. You may obtain a list of authorized service centers by calling the number below.

All warranty repairs must be accompanied by the original bill of sales. No other document is acceptable or is required.

This warranty gives you specific legal rights, and you may also have other rights which vary from state to state.

Due to our continual efforts to improve product quality as new technology and techniques become available, B-I-C America reserves the right to revise Speaker Systems specifications without notice.

Venturi
Speaker Systems by **B·I·C** America™

OWNER'S MANUAL



Model VK-610 Weather-Resistant Speaker System SPECIFICATIONS

Design

Two-way, indoor/outdoor speakers

Drivers

One 6½" premium grade woven fiber woofer, one 1" high efficiency dome tweeter

Power Handling

10 - 150 watts per channel

Sensitivity

90dB @ 1 watt, 1 meter

Frequency Response

38Hz - 23kHz (+/- 3dB)

Crossover

2000Hz

Impedance

8 ohms

Enclosure Type

Sealed, weather-resistant

Grille

White perforated aluminum grille

Mount Brackets

Painted steel with plastic knobs

Input Terminals

Gold-plated binding posts

Dimensions

12" H x 8½" W x 7½" D (excluding bracket)

Shipping Weight

18 lbs. (8.2 kg.)

Limited Warranty

7 years parts



B-I-C America
925 N. Shepard Street
Anaheim, CA 92806
www.bicamerica.com

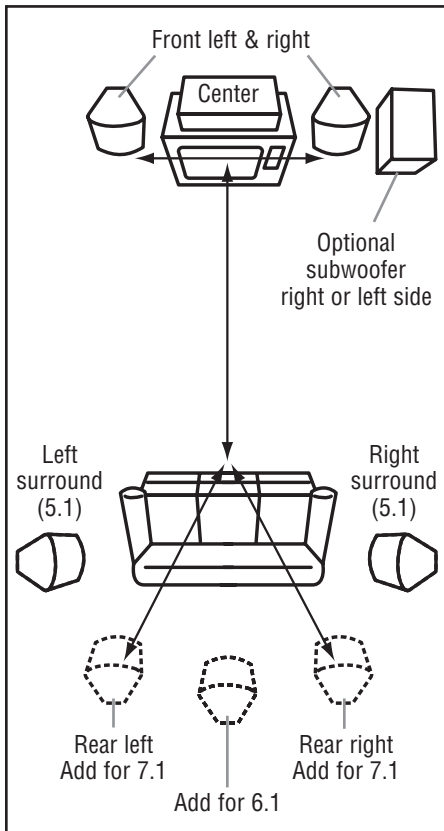
For tech support call 1-877-558-4242 (4BIC)

Unpacking

Carefully remove your new B-I-C America premium grade woven fiber indoor/outdoor speakers from the box. Inspect the speakers for transit damage. If you discover damage, contact your dealer immediately. Save your carton — it is the best possible protection for your speakers should you ever have a need to move them.

Speaker Setup(s)

For best results when installing one single pair (stereo), place the speakers 6' to 8' apart. The diagram below shows 5.1, 6.1, and 7.1 speaker system placement.



Once you have determined the placement for your speakers, you also have the option of mounting them to the wall. The following steps show how to use the mounting brackets provided.

In or Outdoor Mounting and Hookup

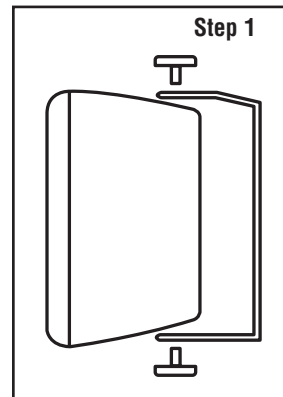
STOP! — Make sure that you consult your amplifier's owner's manual regarding speaker hook-up. Your amplifier should be turned off throughout this procedure.

A word about speaker wire

There are a number of quality speaker wire products available today. Most of these products offer obvious cosmetic benefits over lamp cord and light gauge wires. VK-610 speakers come equipped with inputs that allow the greatest flexibility and choice of hook-up wire and connectors. The choice of speaker wire is dependent on the type of amplifier, the distance you intend to run the wire, and your budget, among other things. If in doubt as to which brand or type of wire and connector to use, consult your audio dealer.

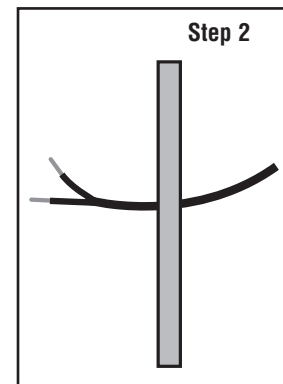
Step 1

Loosen the two knobs. Remove the bracket from speaker.



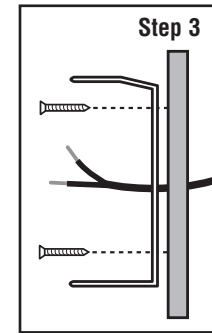
Step 2

Run the appropriate gauge wire from your amplifier to the speaker location.



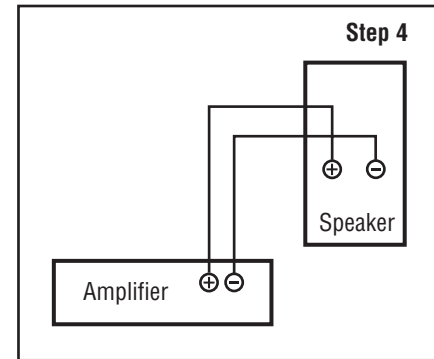
Step 3

Mount the C-bracket to the wall surface by running screws through the holes located in the C-bracket. Stainless steel screws are recommended for outdoor speaker mounting. Run the speaker wire through the appropriate hole in the C-bracket. (Note: Mounting screws are not included with the B-I-C America indoor/outdoor speaker.)



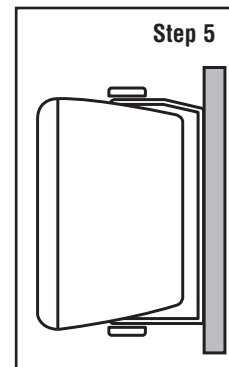
Step 4

Attach the wire from your amplifier to terminals on the back of speaker. Double-check the polarity of the speaker wires for both the left and right channels: amplifier + to speaker + and amplifier - to speaker -.



Step 5

Install the speaker onto the C-bracket. Turn the bracket knobs into the cabinet. Point the speaker toward the listening area. Upon determining the speaker direction, tighten the bracket knobs securely.



Caring for Your Speakers

Mounting speakers under eaves or other shelter is highly recommended. **DO NOT** immerse speakers in water or subject them to direct water pressure. During extreme temperatures (high or low), we recommend storing the speakers indoors if you are not using them.

TO CLEAN: Due to its weather-resistant construction, the B-I-C America enclosure can be cleaned with a damp soft cloth. The aluminum grille can also be cleaned with the same cloth, or, if needed, a small hand vacuum.

Troubleshooting and Service

B-I-C America speakers do not use external fuse protection or circuit breakers because these devices tend to decrease sound quality and may only protect the speaker to a marginal degree. Rather, we use components and designs of the highest caliber as an effective method of protecting the speaker. However, no amount of protection will prevent damage caused by defective associated equipment or extreme abuse.

If you have a problem, first try to determine if it is indeed a speaker problem. Determine whether the problem exists in both speakers. If it does, the problem likely originates in some other component in the system. If the problem is in one speaker only, reverse your speaker leads (left to right, right to left). If the problem moves to the other channel, your problem is not in the speakers.

Once you have determined that you have a speaker problem, contact your dealer for authorized factory service information. If you are unable to contact your dealer, if your dealer is unable to solve your problem, or if you have any questions or comments regarding your B-I-C America Speaker System, please contact us at:

B-I-C America

925 N. Shepard Street
Anaheim, CA 92806

www.bicamerica.com

For tech support call 1-877-558-4242

Please describe the problem in detail. We will decide on the most appropriate course of action.